

PORCHES, RAILINGS, FURNITURE, and OTHER ITEMS

The following criteria shall be followed regarding porches, railings, furniture, and other items.

- Furniture or any items placed on a porch adjacent to a public zone shall be limited to items reasonably intended for outdoor porch areas. The addition of a porch railing is greatly encouraged as it will alleviate the scrutiny of porch furnishings.
- Beach chairs, camping chairs, or any similar folding and/ or temporary furnishings are strictly prohibited.
- Porches without railings shall be limited to permanent outdoor porch furniture that is white in color. Cushions shall be one solid, light, neutral color, such as white, tan, or grey.
- Porches less than 40 square feet shall be considered a stoop, which is non-furnishable.
- Flags shall be limited to (1) one per home on a building mounted pole only.
- Hanging baskets, flower boxes, and potted plants are addressed on page 4.8 and 4.9.
- Barbecue grills are strictly prohibited from any porch visible from a public zone.

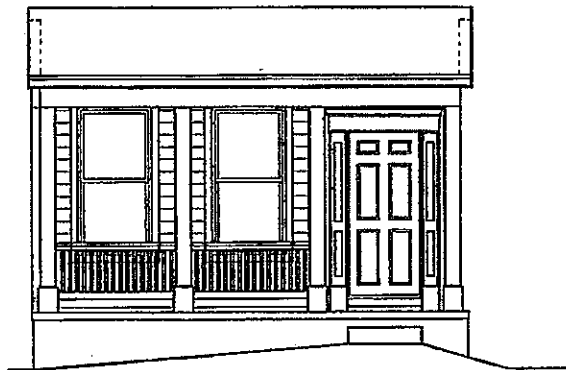


Figure 3.11.1: Porch with railing.



Figure 3.11.2: Porch without railing.

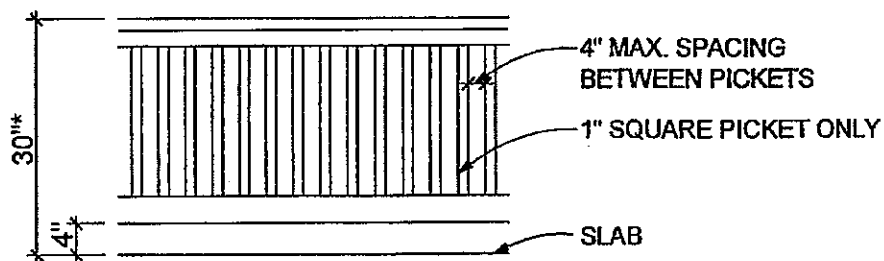


Figure 3.11.3: Porch railing specifications.
*Unless otherwise required by code.

PORCHES and COLUMNS

PORCH DIMENSIONS

All porches shall follow the patterns in Figure 3.12.1

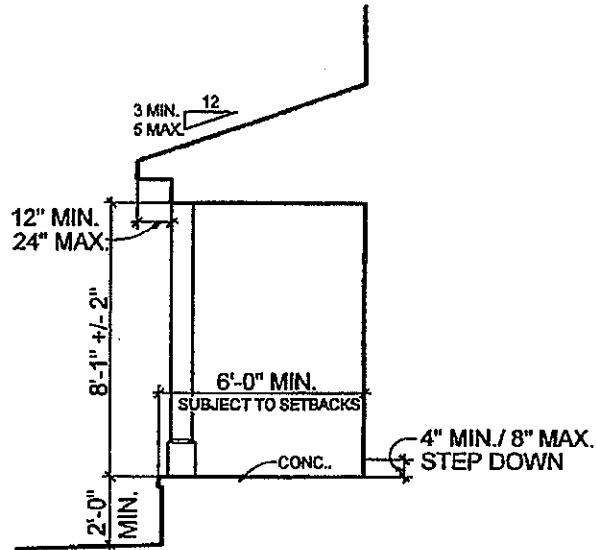
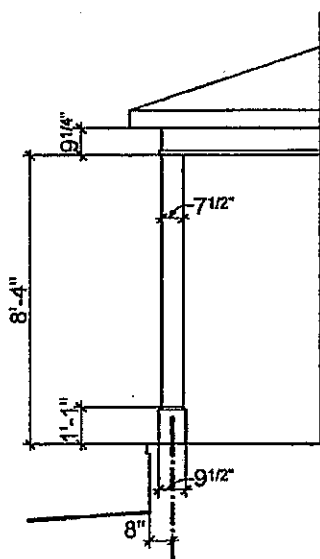


Figure 3.12.1: Porch dimensions.

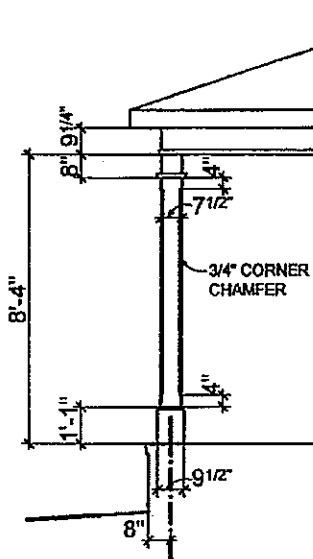
COLUMN DIMENSIONS

Porch columns shall be limited to (3) types.

Standard Square Column



Optional Square Column



Optional Tuscan Style Round Column

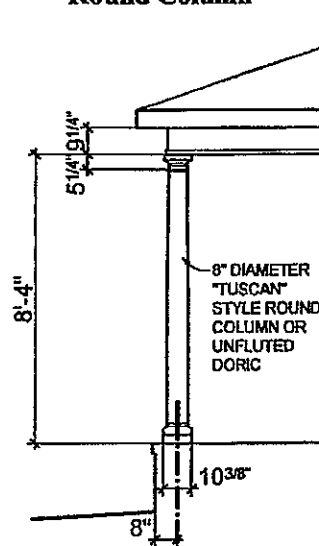


Figure 3.12.2: Allowable porch column styles.